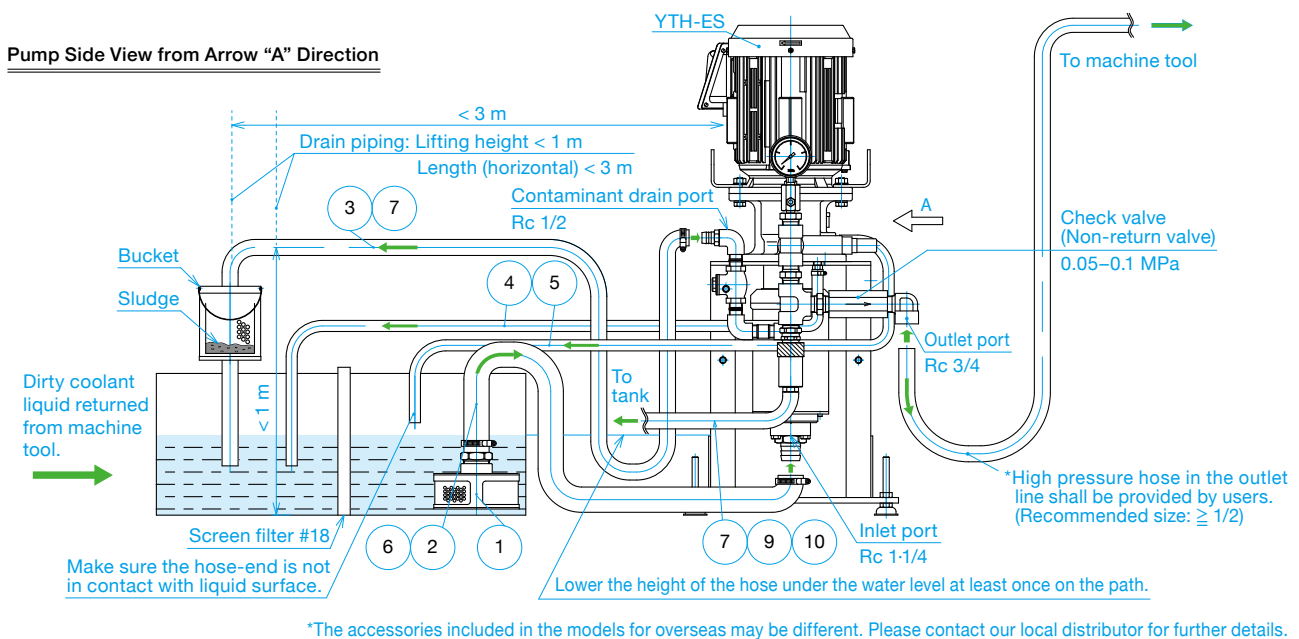
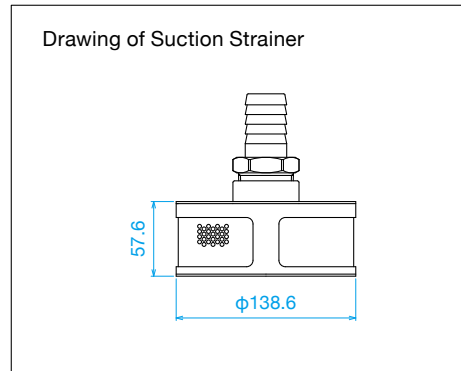
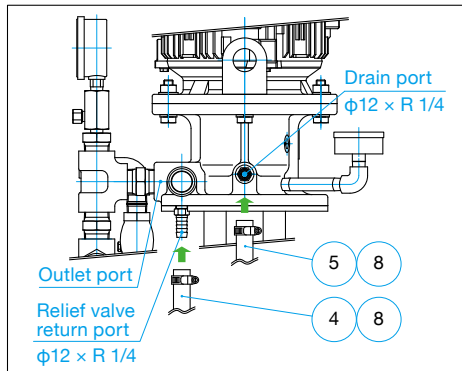


# YTH-ES LINE TYPE

## SAMPLE SYSTEM LAYOUT



\*The accessories included in the models for overseas may be different. Please contact our local distributor for further details.

### Parts List

Item No.	Description	Qty.	Hose size (ID × OD)	Hose nipple	Note
①	Suction strainer (ASSY)	1	—	φ32 × R 1-1/4	Insert a screen filter to ensure that pump doesn't directly suck foreign objects larger than the size of strainer perforations. Secure the strainer to the tank to prevent air suction.
②	Suction hose (3m)	1	φ32 × φ41	(φ32 × R 1-1/4)	The hose should be as short as possible with minimum number of bends.
③	Contaminant drain hose (3m)	1	φ19 × φ26	(φ19 × R 1/2)	Lower the height of the hose under the water level at least once on the path as illustrated below to prevent air from flowing back into the system. Do not restrict the flow to 20 L/ min or lower.
④	Relief valve discharge hose (3m)	1	φ12 × φ18	(φ12 × R 1/4)	To prevent foam generation, make sure that the hose-end is secured underwater and as far as possible from pump suction area.
⑤	Drain hose (3m)	1	φ12 × φ18	(φ12 × R 1/4)	Release the liquid from contaminant drain port in open atmosphere. (Make sure that the hose-end does not touch the liquid surface.) The liquid from the drain hose will drop with its own weight, so the hose should be as short as possible with minimum number of bends.
⑥	Hose clamp (φ32)	2	—	—	Tighten the hose clamp securely to prevent leaks.
⑦	Hose clamp (φ19)	2	—	—	Tighten the hose clamp securely to prevent leaks.
⑧	Hose clamp (φ12)	1	—	—	Tighten the hose clamp securely to prevent leaks.
⑨	Spare hose for air bleeding (3m)	1	φ19 × φ26	(φ19 × R 1/2)	Use this only when performing air-bleeding on the first run. (It will become unnecessary once the pump has primed.)
⑩	Spare coupler for air bleeding (ASSY)	1	—	φ19 × R 1/2	Use this only when performing air-bleeding on the first run. (It will become unnecessary once the pump has primed.)