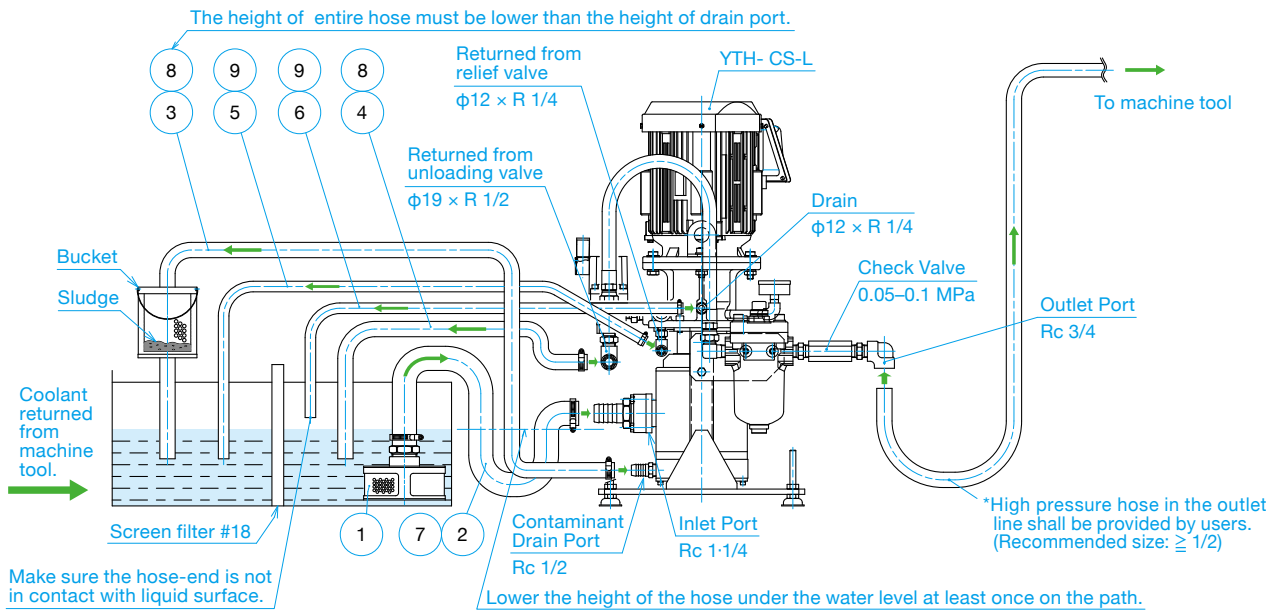
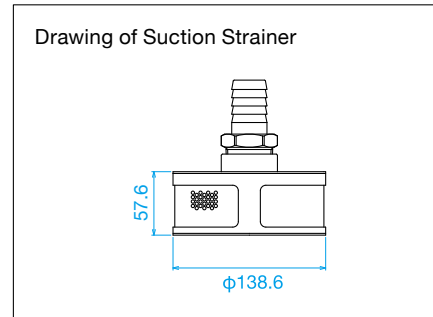
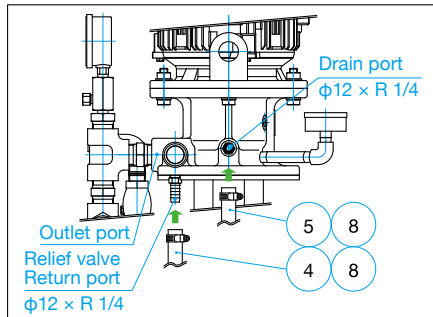


YTH-CS LINE TYPE

SAMPLE SYSTEM LAYOUT



*The accessories included in the models for overseas may be different. Please contact our local distributor for further details.

Parts List

Item No.	Description	Qty.	Hose size (ID × OD)	Hose nipple	Note
①	Suction strainer	1	—	R 1-1/4	Insert a screen filter to ensure that pump doesn't directly suck foreign objects larger than the size of strainer perforations. Secure the strainer to the tank to prevent air suction.
②	Suction hose (3m)	1	φ32 × φ41	R 1-1/4	The hose should be as short as possible with minimum number of bends.
③	Contaminant drain hose (3m)	1	φ19 × φ26	R 1/2	Do not restrict the flow to 20 L/ min or lower.
④	Unloading valve discharge hose (3m)	1	φ19 × φ26	R 1/2	The hose should be as short as possible with minimum number of bends.
⑤	Relief valve discharge hose (3m)	1	φ12 × φ18	R 1/4	To prevent foam generation, make sure that the hose-end is secured underwater and as far as possible from pump suction area.
⑥	Drain hose (3m)	1	φ12 × φ18	R 1/4	Release the liquid from contaminant drain port in open atmosphere. (Make sure that the hose-end does not touch the liquid surface.) The liquid from the drain hose will drop with its own weight, so the hose should be as short as possible with minimum number of bends.
⑦	Hose clamp (φ32)	2	—	—	Tighten the hose clamp securely to prevent leaks
⑧	Hose clamp (φ19)	2	—	—	Tighten the hose clamp securely to prevent leaks
⑨	Hose clamp (φ12)	2	—	—	Tighten the hose clamp securely to prevent leaks